

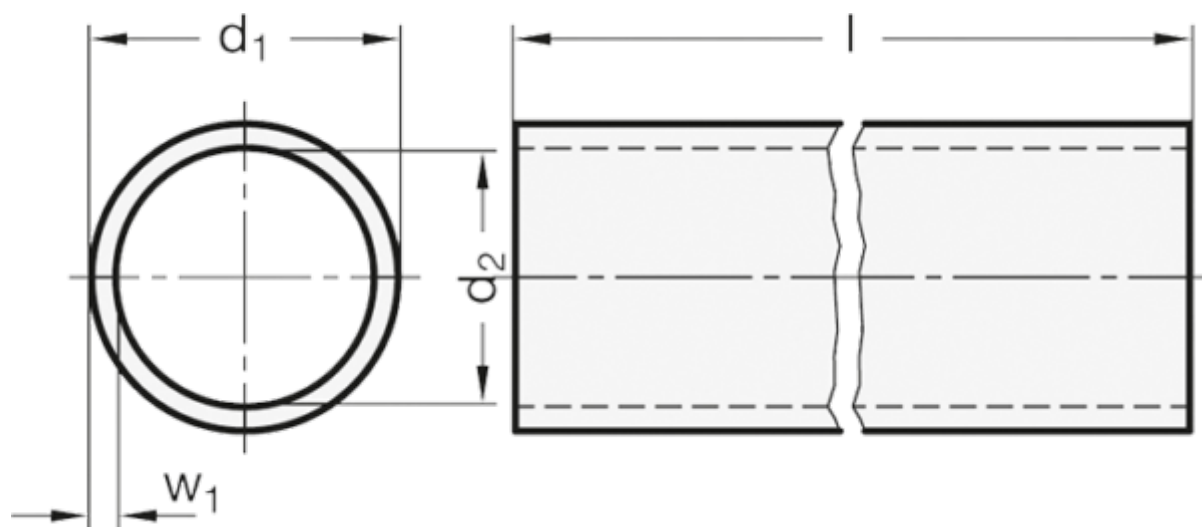
# Data Sheet



Article number: 20990NID20200BL

Description: E+G GN 990 Construction tube round  
GN 990-NI-D20-200-BL

## Measures



$d_1$  = D20-0.2

$d_2$  = 16

$l \pm 0.5$  = 200

$w_1$  = 2

Weight in (g) = 160